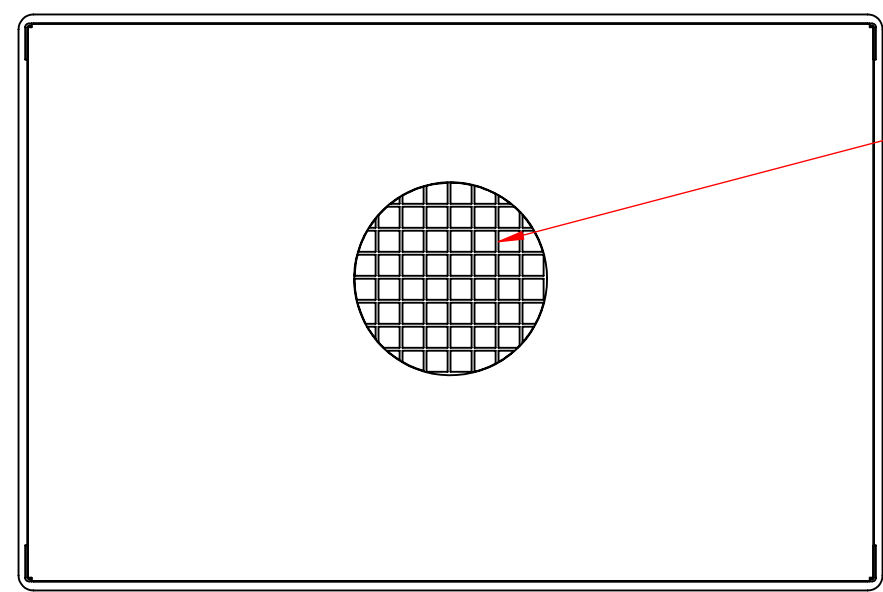
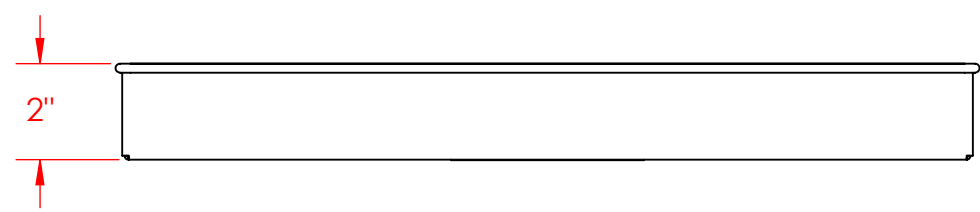
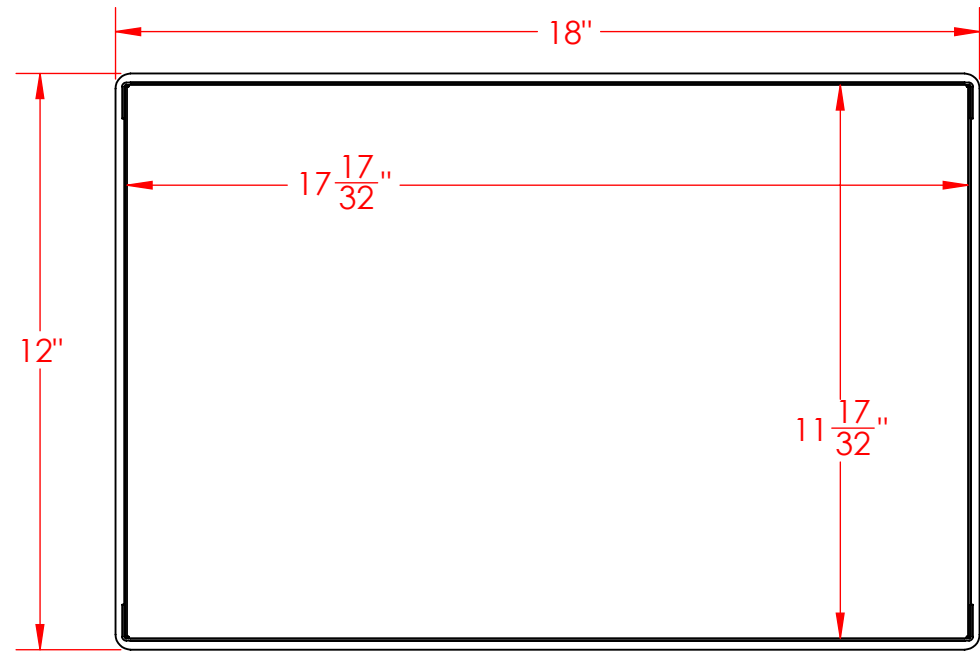
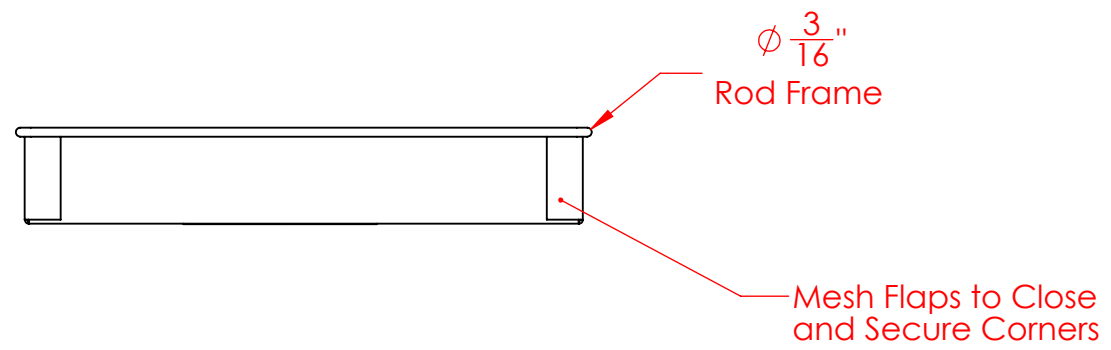
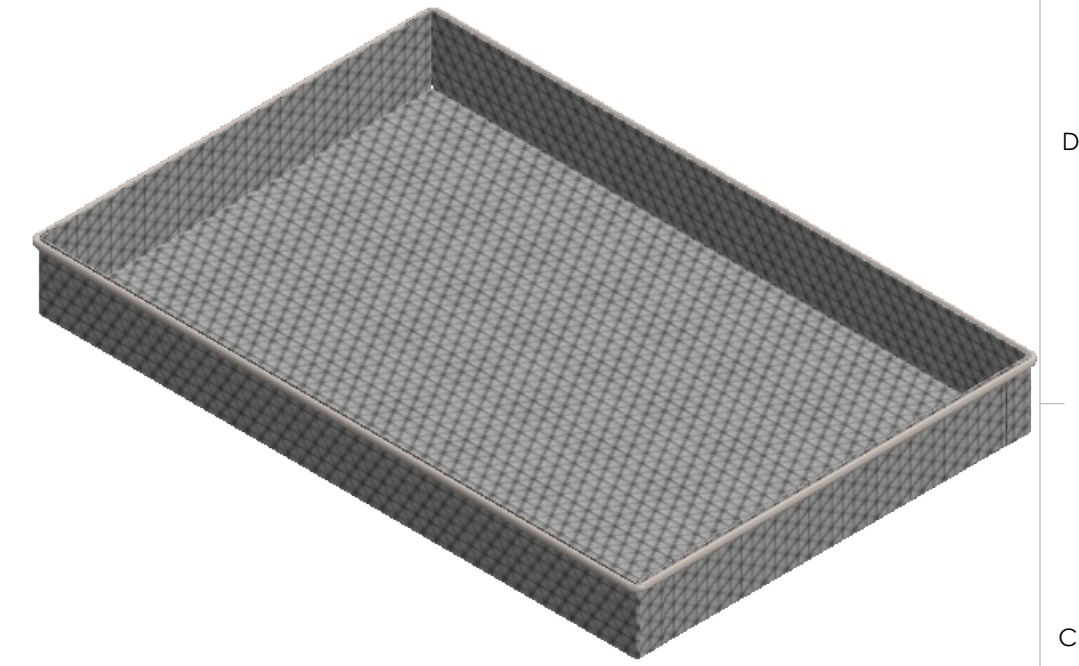


8 7 6 5 4 3 2 1

D
C
B
A



One Piece Mesh Body of
2 Mesh x .063" Welded Wire
(.437" Openings, 76% Open Area)



UNLESS OTHERWISE SPECIFIED:

DIMENSIONS ARE IN INCHES
TOLERANCES:
FRACTIONAL ± 1/16"
ANGULAR: ± 5 DEG.
TWO PLACE DECIMAL ±0.03
THREE PLACE DECIMAL ±0.015

EST WGT
1.6 lbs.

MATERIAL
304 Stainless Steel

FINISH
Natural

DO NOT SCALE DRAWING

Light Duty Mesh Basket:
18Lx12Wx2H, 304 SS, No Handles,
Mesh: 2 x .063

PROPRIETARY AND CONFIDENTIAL
THE INFORMATION CONTAINED IN THIS
DRAWING IS THE SOLE PROPERTY OF
THREE M TOOL. ANY REPRODUCTION IN
PART OR AS A WHOLE WITHOUT THE
WRITTEN PERMISSION OF THREE M TOOL
IS PROHIBITED.

SIZE **B** DWG. NO.
FLB-180120020-N02S

SCALE: 1:4

SHEET 1 OF 1

8 7 6 5 4 3 2 1